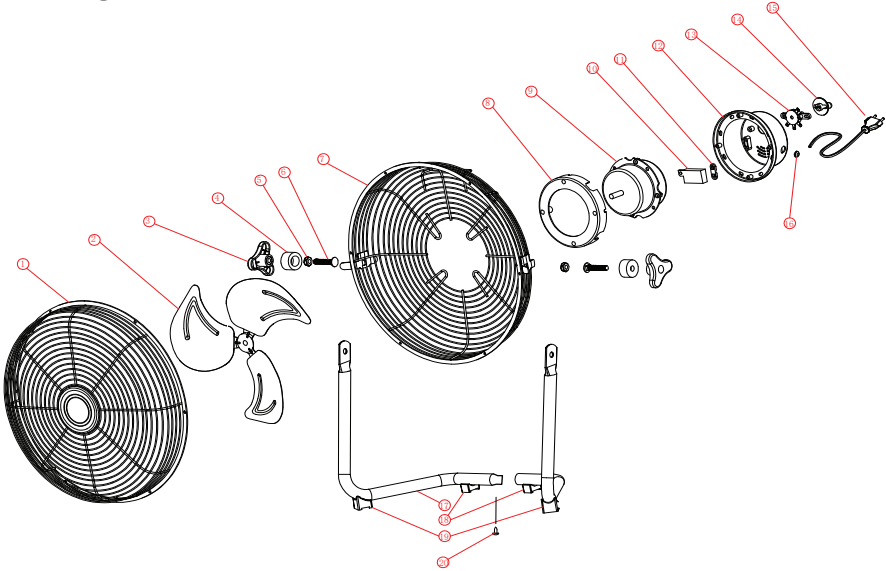


EXPLODED VIEW



SPARE PART LIST

	Name	Description
1	Front guard	Metal
2	Blades	Aluminum
3	Triangle nut	ABS
4	Rubber mat	PVC
5	M8 nut	Metal
6	M8 screw	Metal
7	Back gurad	Metal
8	Front housing of motor	PP
9	Motor	Metal
10	Capacitor	1uF
11	Pressure line code	PP
12	Black housing of motor	PP
13	Switch of gear	PA66+motor
14	Rotary knob	ABS
15	Power cord	PVC+metal
16	Protective ring	PVC
17	Feet pipe	Metal
18	Foot pad	PVC
19	Foot pad	PVC
20	Screw	M4x10